



# Illustrated Parts List

## Model Series

# 543200

## AIR COOLED/GASEOUS

TYPE NUMBERS

0078, 0100, 0111, 0112, 0115.

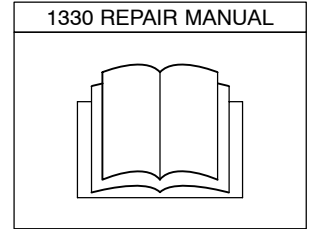
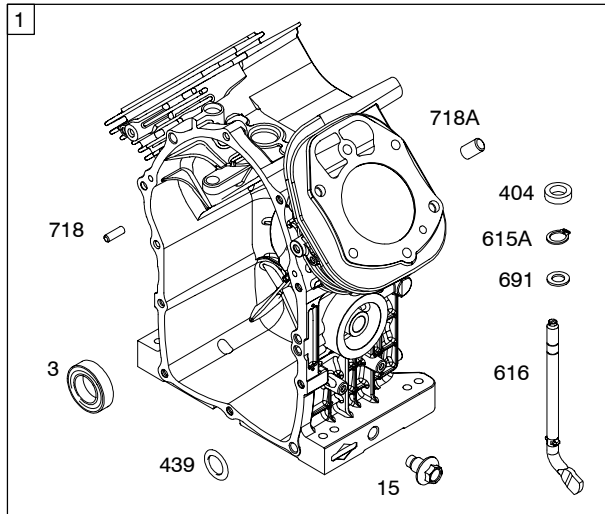
### TABLE OF CONTENTS

Air Cleaner .....	6
Alternator .....	8
Blower Housing .....	7
Camshaft .....	2
Carburetor .....	5
Controls .....	5
Crankcase Cover/Sump .....	4
Crankshaft .....	2
Cylinder .....	2
Cylinder Head/Valves .....	3
Electric Starter .....	8
Engine Gasket Set .....	2
Exhaust .....	8
Flywheel .....	7
Intake Manifold .....	4
Lubrication .....	2
Pistons/Rings/Connecting Rods .....	2
Springs .....	5
Valve Gasket Set .....	3

PRINTED IN U.S.A.



COPYRIGHT by BRIGGS & STRATTON CORPORATION  
All rights reserved. No part of this material may be reproduced or transmitted, in any form or by any means, electronic or mechanical, including photocopying, recording or by any information storage and retrieval system, without permission in writing from Briggs & Stratton Corporation.

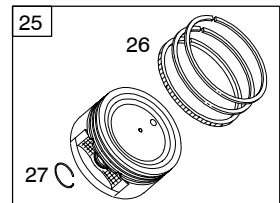
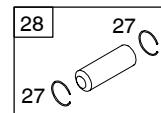
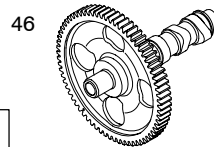
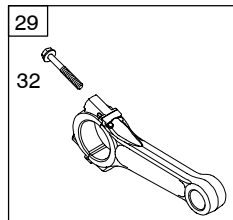
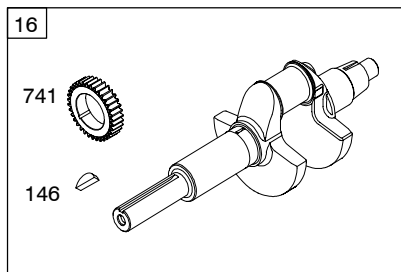
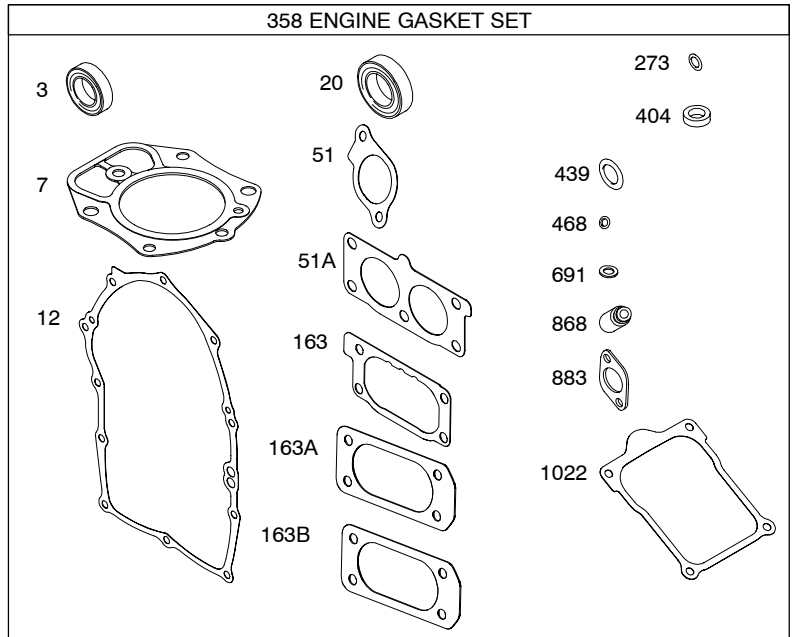
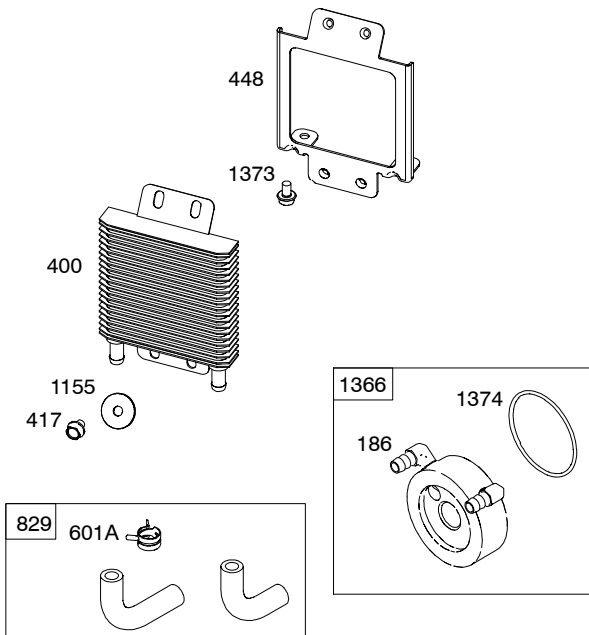
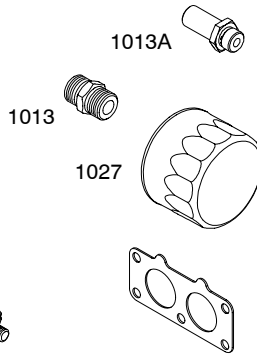
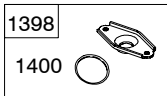


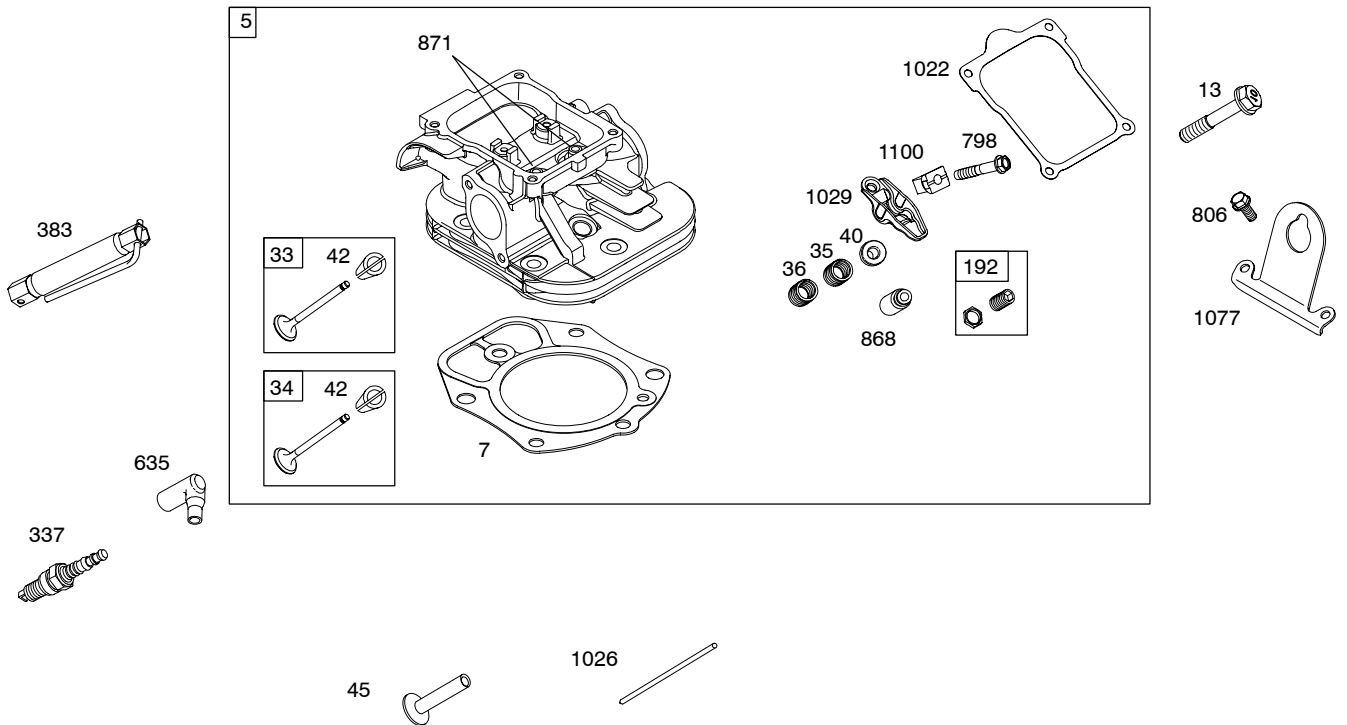
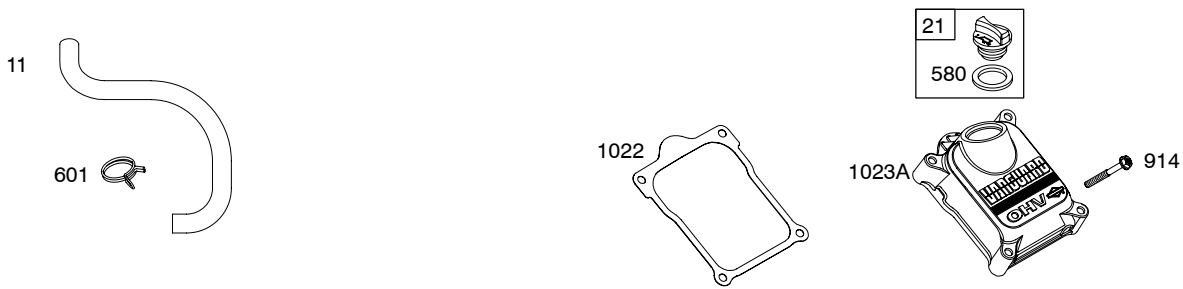
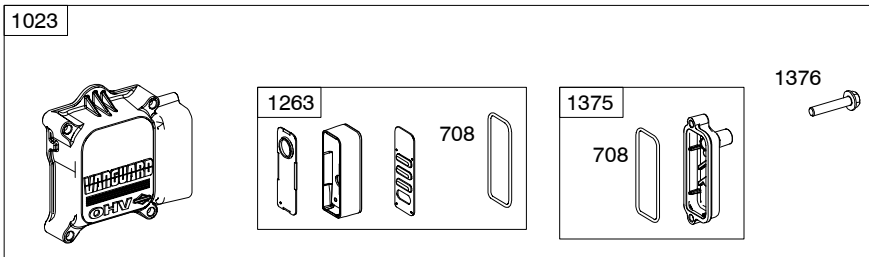
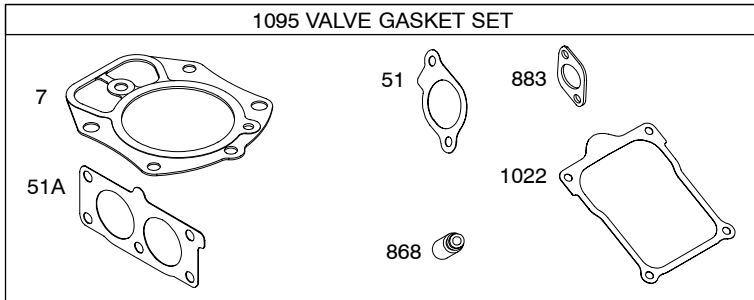
1319 WARNING LABEL

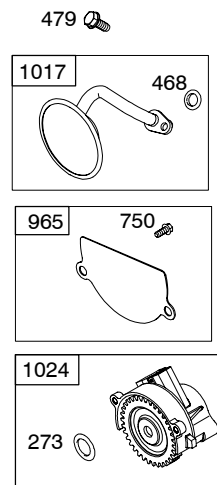
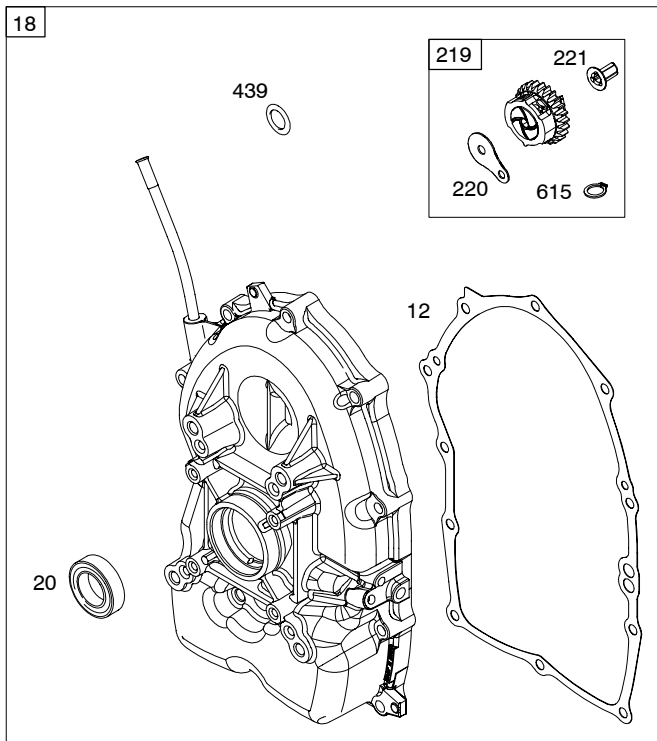
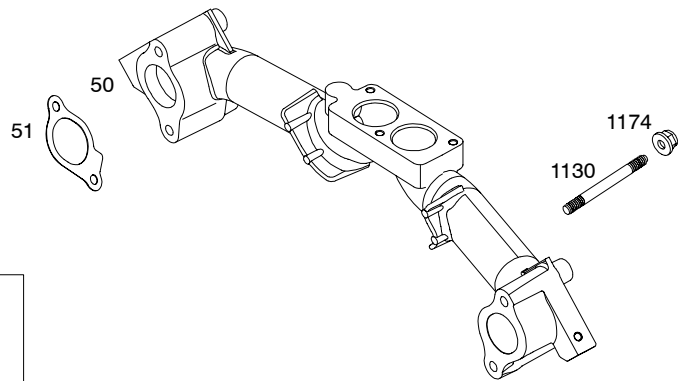
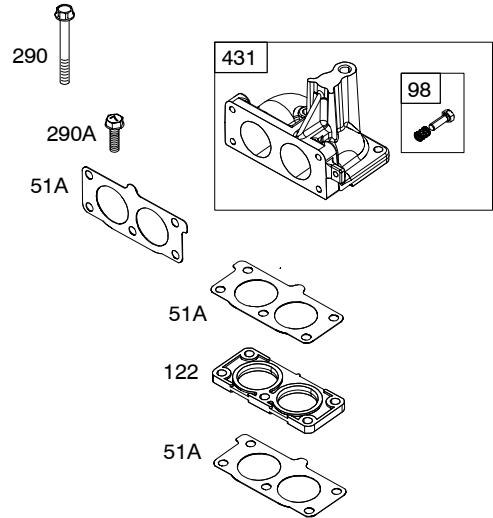
**WARNING**

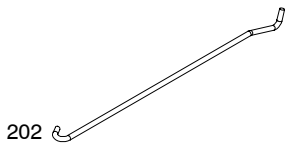
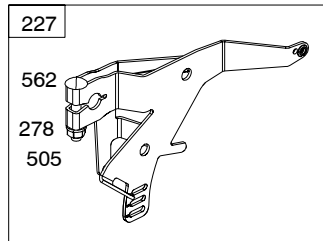
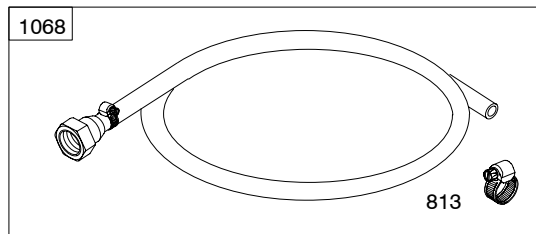
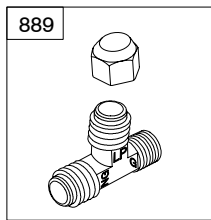
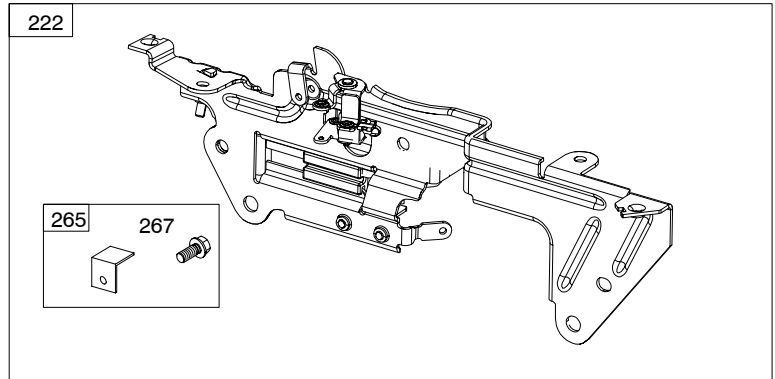
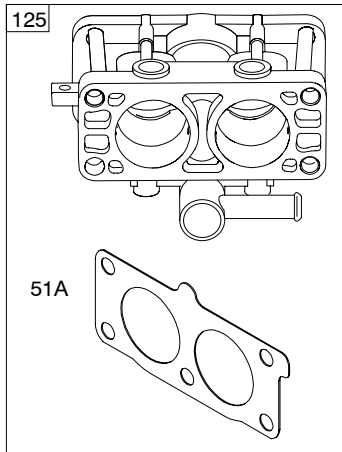
- Read and follow Operating Instructions before running engine.
- Gasoline is flammable. Allow engine to cool at least 2 minutes before refueling.
- Engines emit carbon monoxide, DO NOT run in enclosed area.
- Muffler area temperature may exceed 150°F. Do not touch hot parts.

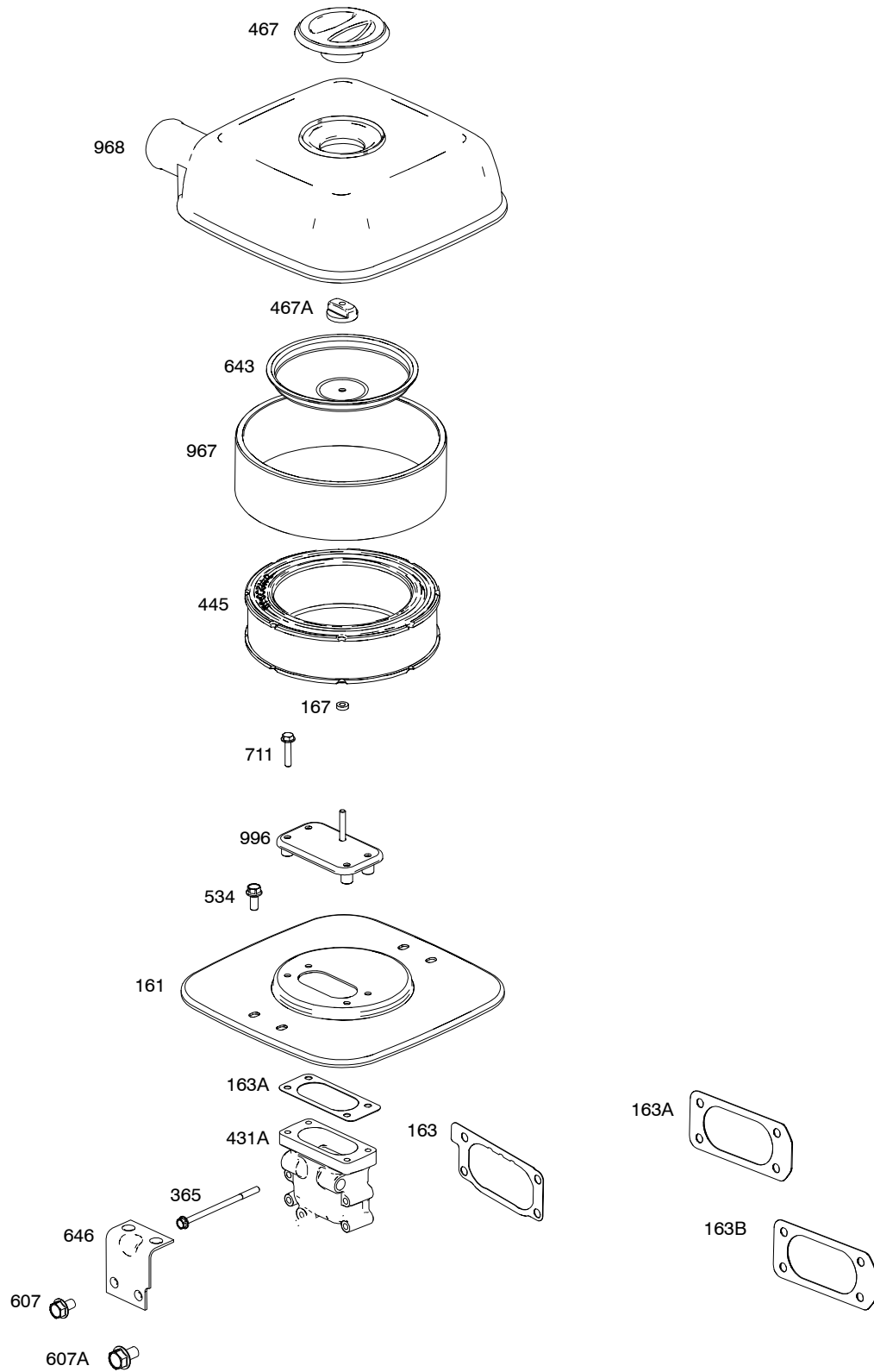
**REQUIRED** when replacing parts with warning labels affixed.



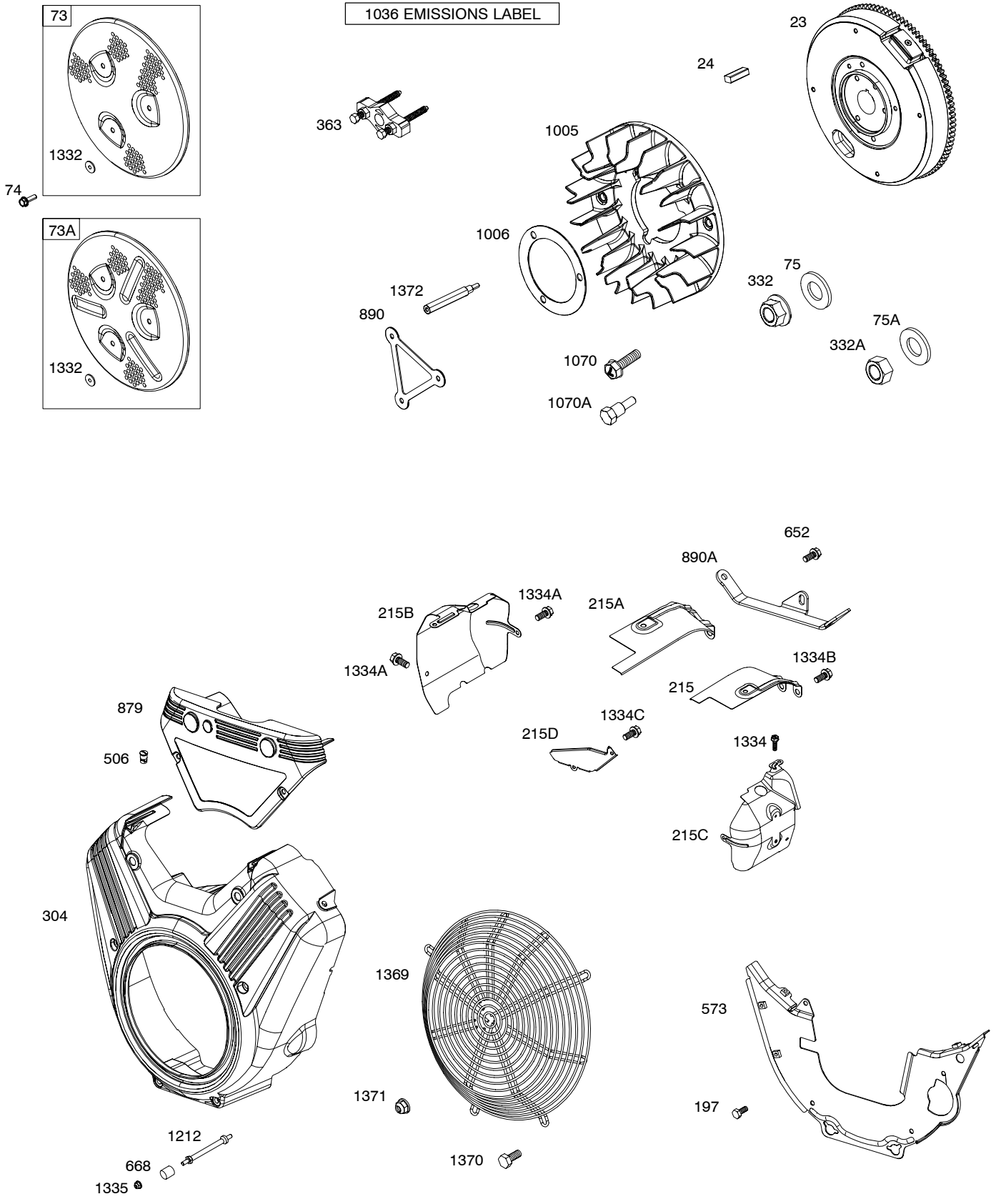




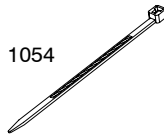
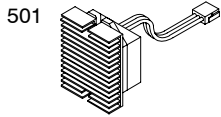
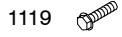
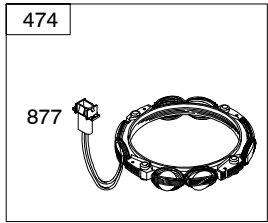




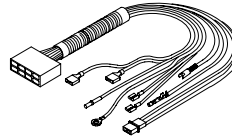
1036 EMISSIONS LABEL



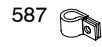
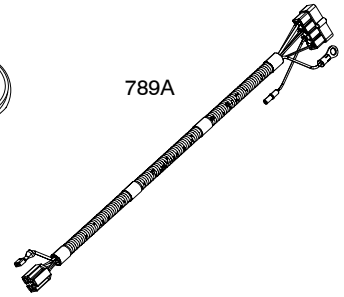
# 543200



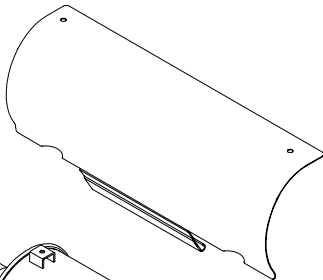
789



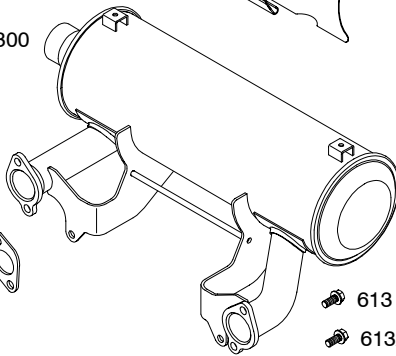
789A



725



300



883



883

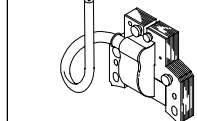


635



333

851



334

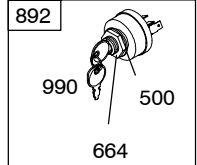


892

990

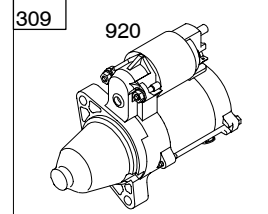
500

664



309

920



1009





REF. NO.	PART NO.	DESCRIPTION	REF. NO.	PART NO.	DESCRIPTION	REF. NO.	PART NO.	DESCRIPTION
1	843286	Cylinder Assembly (Used After Code Date 06083100). Used on Type No(s). 0078, 0100, 0112, 0115. ----- <b>Note</b> ----- 809971 Cylinder Assembly (Used Before Code Date 06090100). Used on Type No(s). 0078, 0100, 0112, 0115. 843287 Cylinder Assembly Used on Type No(s). 0111.	27	807351	Lock-Piston Pin	125	842183	Carburetor
			28	807361	Pin-Piston	146	691639	Key-Timing
			29	809275	Rod-Connecting	161	843118	Base-Air Cleaner (Used After Code Date 06062200). ----- <b>Note</b> -----
			32	807363	Screw (Connecting Rod)			841851 Base-Air Cleaner (Used Before Code Date 06062300).
			33	842154	Valve-Exhaust	163	807375	Gasket-Air Cleaner
			34	809902	Valve-Intake	163A	841852	Gasket-Air Cleaner (Used Before Code Date 06062300).
			35	809374	Spring-Valve (Intake)			163B 843117 Gasket-Air Cleaner (Used After Code Date 06062200).
			36	809374	Spring-Valve (Exhaust)			167 841855 Seal-Air Cleaner Nut
			40	807492	Retainer-Valve	186	841511	Connector-Hose (Oil Cooler Diverter)
			42	807683	Keeper-Valve			188 692539 Screw (Control Bracket)
			45	809785	Tappet-Valve	192	690083	Adjuster-Rocker Arm
			46	809879	Camshaft	197	692539	Screw (Back Plate)
			50	841591	Manifold-Intake	202	841322	Link-Mechanical Governor
			51	841592	Gasket-Intake (Used After Code Date 04031100). ----- <b>Note</b> ----- 809871 Gasket-Intake (Used Before Code Date 04031200).	209	841500	Spring-Governor (Purple) Used on Type No(s). 0078, 0100, 0111. ----- <b>Note</b> ----- 842049 Spring-Governor (Red) Used on Type No(s). 0112, 0115.
3	841596	Seal-Oil (Magneto Side)	51A	809910	Gasket-Intake	215	809728	Guide-Air (Cylinder #1)
5	842180	Head-Cylinder (Cylinder #1) ----- <b>Note</b> ----- 842181 Head-Cylinder (Cylinder #2)	73	841840	Screen-Rotating (Used After Code Date 05100900).	215A	809737	Guide-Air (Cylinder #2)
7	809730	Gasket-Cylinder Head	73A	809945	Screen-Rotating (Used Before Code Date 05101000).	215B	809897	Guide-Air (Cylinder #2)
11	809736	Tube-Breather	74	809947	Screw (Rotating Screen)	215C	809738	Guide-Air (Cylinder #1)
12	809727	Gasket-Crankcase	75	691056	Washer (Flywheel) (Used Before Code Date 05051100).	215D	809739	Guide-Air (Valley)
13	809784	Screw (Cylinder Head)	75A	842548	Washer (Flywheel) (Used After Code Date 05051000).	219	809426	Gear-Governor
15	807392	Plug-Oil Drain			98	841842	Kit-Idle Speed	
16	843288	Crankshaft (Used After Code Date 06083100). ----- <b>Note</b> ----- 841683 Crankshaft (Used Before Code Date 06090100).	122	843268	Spacer-Carburetor (Used After Code Date 06080800). ----- <b>Note</b> ----- 809880 Spacer-Carburetor (Used Before Code Date 06080900).	220	841608	Washer (Governor Gear)
18	842458	Cover-Crankcase						
20	841596	Seal-Oil (PTO Side)						
21	809895	Cap-Oil Fill						
22	807362	Screw (Crankcase Cover/Sump)						
23	842182	Flywheel						
24	222698S	Key-Flywheel						
25	809790	Piston Assembly ----- <b>Note</b> ----- 841931 Piston Assembly (.020" Oversize)						
26	809972	Ring Set ----- <b>Note</b> ----- 841932 Ring Set (.020" Oversize)						

Engine Gasket Set Reference 358  
Carburetor Overhaul Kit Reference 121

Valve Gasket Set Reference 1095

# 543200

REF. NO.	PART NO.	DESCRIPTION	REF. NO.	PART NO.	DESCRIPTION	REF. NO.	PART NO.	DESCRIPTION
221	841026	Cup-Governor	337	491055S	Plug-Spark	479	807084	Screw
222	843535	Bracket-Control			Used on Type No(s).			(Oil Pump Screen)
227	809984	Lever-Governor			0100, 0111, 0115.	500	691086	Washer
		Control			----- <b>Note</b> -----			(Key Switch)
232	690545	Spring-Governor Link			792015 Plug-Spark	501	691573	Regulator
239	841281	Switch-Oil Pressure			Used on Type No(s).			(20 Amp)
265	841673	Clamp-Casing			0078, 0112.			Used on Type No(s).
267	841672	Screw	344	692539	Screw			0078, 0100, 0112,
		(Casing Clamp)			(Cable Clamp)			0115.
273	690681	Seal-O Ring	358	841122	Gasket Set-Engine	505	690238	Nut
		(Oil Pump)	363	19203	Puller-Flywheel			(Governor
278	842122	Washer	365	841853	Screw			Control Lever)
		(Governor			(Carburetor)	506	809957	Screw
		Control Lever)			(M6x103mm Long)			(Carburetor Cover)
290	809911	Screw	383	19374S	Wrench-Spark Plug	523	841007	Dipstick
		(Intake Elbow)	400	841501	Cooler-Oil	526	691547	Screw
		(M6x55mm Long)	404	809436	Washer			(Regulator)
290A	807421	Screw			(Governor Crank)	527	690423	Clamp-Tube
		(Intake Elbow)	417	810074	Screw	534	692062	Screw
		(M6x25mm Long)			(Oil Cooler)			(Air Cleaner)
300	809983	Muffler	431	841539	Elbow-Intake	562	843344	Bolt
		Used on Type No(s).			(Intake Manifold)			(Governor
		0112.	431A	843116	Elbow-Intake			Control Lever)
		----- <b>Note</b> -----			(Air Cleaner)	573	809956	Plate-Back
		841836 Muffler			Used on Type No(s).	580	809894	Seal-O Ring
		Used on Type No(s).			0078, 0100, 0111,			(Oil Fill Cap)
		0115.			0112, 0115.	587	807386	Clamp-Cable
304	842189	Housing-Blower			(Used After Code Date	596	691492	Screw
		----- <b>Note</b> -----			06062200).			(Oil Pump)
		843442 Housing-			----- <b>Note</b> -----	601	841499	Clamp-Hose
		Blower			841854 Elbow-Intake			(Breather Tube)
		Used on Type No(s).			(Air Cleaner)	601A	841597	Clamp-Hose
		0115.			Used on Type No(s).			(Oil Cooler)
309	807383	Motor-Starter			0078, 0100, 0111,	607	807385	Screw
332	807356	Nut			0112, 0115.			(Air Cleaner Brace)
		(Flywheel)			(Used Before Code	607A	692539	Screw
		(Used Before Code			Date 06062300).			(Air Cleaner Brace)
		Date 05051100).	439	692154	Seal-O Ring			(M6x10mm Long)
332A	842222	Nut			(Crankcase	613	692062	Screw
		(Flywheel)			Cover/Sump)			(Muffler)
		(Used After Code Date	445	841856	Filter-Air Cleaner			(M8x18mm Long)
		05051000).			Cartridge	613A	809743	Screw
333	843327	Armature-Magneto	448	841504	Bracket-Oil Cooler			(Muffler)
		(Used After Code Date	467	841846	Knob-Air Cleaner			(M8x25mm Long)
		06083100).	467A	691985	Knob-Air Cleaner	615	698290	Retainer-Governor
		----- <b>Note</b> -----	468	690690	Seal-O Ring			Shaft
		841279 Armature-			(Oil Pump Screen)			(Governor Gear)
		Magneto	474	696579	Alternator	615A	809533	Retainer-Governor
		(Used Before Code			(20 Amp)			Shaft
		Date 06090100).			Used on Type No(s).			(Governor Shaft)
334	692066	Screw			0078, 0100, 0112,			
		(Magneto Armature)			0115.			

Engine Gasket Set Reference 358  
Carburetor Overhaul Kit Reference 121

Valve Gasket Set Reference 1095

REF. NO.	PART NO.	DESCRIPTION	REF. NO.	PART NO.	DESCRIPTION	REF. NO.	PART NO.	DESCRIPTION
616	842665	Crank-Governor (Used After Code Date 05070700). ----- <b>Note</b> ----- 809433 Crank-Governor (Used Before Code Date 05070200).	920	825418	Solenoid-Starter	1077	809729	Bracket-Lifting
635	692076	Boot-Spark Plug	943	690681	Seal-O Ring (Oil Pump Cover)	1095	841123	Gasket Set-Valve
643	841850	Retainer-Air Filter	965	809422	Cover-Oil Pump	1100	791959	Pivot-Rocker Arm
646	841849	Brace-Air Cleaner	967	692520	Filter-Pre Cleaner	1119	691552	Screw (Alternator)
652	807084	Screw (Support Bracket) (M6x14mm Long)	968	841847	Cover-Air Cleaner	1130	841590	Stud (Intake Manifold) (Used After Code Date 04031100).
664	691087	Nut (Key Switch)	990	691959	Key Set	1155	806647	Washer (Oil Cooler)
668	841974	Spacer (Blower Housing)	996	843119	Shield-Carburetor (Used After Code Date 06062200). ----- <b>Note</b> ----- 841848 Shield-Carburetor (Used Before Code Date 06062300).	1174	842067	Nut (Intake Manifold) (Used After Code Date 04031100).
691	809287	Seal-Governor Shaft	1005	809950	Fan-Flywheel	1212	809958	Stud (Blower Housing)
708	841301	Seal-O Ring (Breather Reed)	1006	809999	Retainer-Fan	1263	841324	Reed-Breather
711	691492	Screw (Carburetor Shield)	1009	690711	Screw (Starter Motor)	1319	794467	Label-Warning
718	690959	Pin-Locating (Cylinder)	1013	809505	Nipple-Oil Filter Used on Type No(s). 0078, 0100, 0111, 0112.	1330	272144	Repair Manual
718A	809508	Pin-Locating (Cylinder Head)	1013A	841602	Nipple-Oil Filter (Oil Cooler) Used on Type No(s). 0115.	1332	809948	Washer (Rotating Screen)
725	841132	Shield-Heat	1017	809421	Screen-Oil Pump	1334	807435	Screw (Air Guide) (M6x20mm Long)
728	692067	Screw (Heat Shield)	1022	809732	Gasket-Rocker Cover	1334A	692539	Screw (Air Guide) (M6x12mm Long)
741	809432	Gear-Timing	1023	809789	Cover-Rocker (Valve Cover #2)	1334B	692062	Screw (Air Guide) (M8x18mm Long)
750	692539	Screw (Oil Pump Cover)	1023A	809731	Cover-Rocker (Valve Cover #1)	1334C	690677	Screw (Air Guide) (M4x12mm Long)
789	809906	Harness-Wiring	1024	841291	Pump-Oil	1335	690939	Nut (Blower Housing)
789A	809967	Harness-Wiring	1026	809783	Rod-Push	1366	841510	Diverter-Oil Cooler Used on Type No(s). 0115.
798	691492	Screw (Rocker Arm)	1027	842921	Filter-Oil	1369	842858	Guard-Flywheel Fan
806	807357	Screw (Lifting Bracket)	1029	807323	Arm-Rocker	1370	692539	Screw (Flywheel Fan Guard)
813	843438	Clamp	1036		Label-Emissions (Available from a Briggs & Stratton Authorized Dealer)	1371	841537	Nut (Flywheel Fan Guard)
829	841503	Hose-Oil	1054	280275	Tie-Cable (Used After Code Date 05011000). ----- <b>Note</b> ----- 807340 Tie-Cable (Used Before Code Date 05011100).	1372	809946	Stud (Rotating Screen)
851	493880S	Terminal-Spark Plug	1058	MS3483	Operator's Manual	1373	692539	Screw (Oil Cooler Bracket)
868	691963	Seal-Valve	1068	842185	Hose/Clamp Assembly	1374	841506	Seal-O Ring (Oil Cooler Diverter)
871	692057	Bushing-Valve Guide	1070	807435	Screw (Flywheel Fan) (M6x20mm Long)	1375	841550	Cover-Breather Reed
877	698092	Wire/Connector- Alternator	1070A	841205	Screw (Flywheel Fan) (M6x14mm Long)	1376	806421	Screw (Breather/Reed Cover)
879	842188	Cover-Carburetor				1398	842191	Cover-Fuel Pump
883	809872	Gasket-Exhaust				1399	690932	Screw (Cover-Fuel Pump)
889	842184	Tee						
890	809987	Bracket-Support (Rotating Screen)						
890A	841614	Bracket-Support						
892	692318	Switch-Key Used on Type No(s). 0112.						
914	807357	Screw (Rocker Cover)						

Engine Gasket Set Reference 358  
Carburetor Overhaul Kit Reference 121

Valve Gasket Set Reference 1095

# 543200

REF. NO.	PART NO.	DESCRIPTION	REF. NO.	PART NO.	DESCRIPTION	REF. NO.	PART NO.	DESCRIPTION
1400	809894	Seal-O Ring (Cover-Fuel Pump)						

Engine Gasket Set Reference 358  
 Carburetor Overhaul Kit Reference 121

Valve Gasket Set Reference 1095